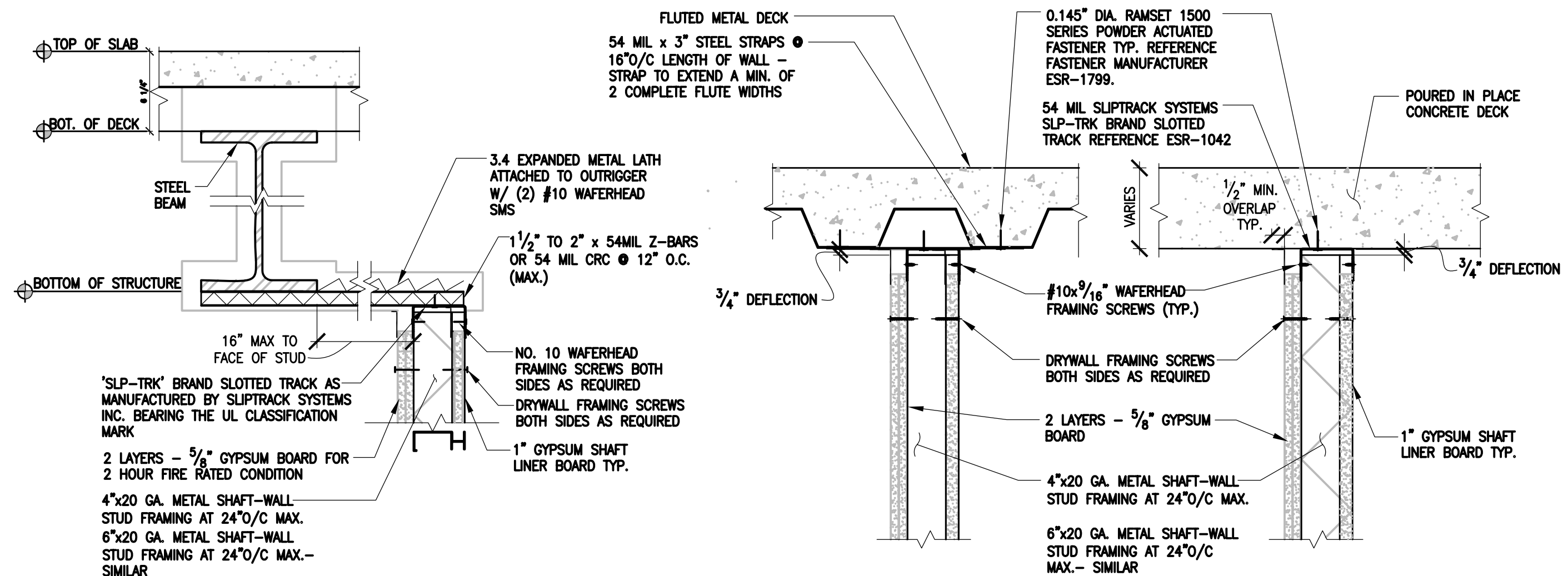
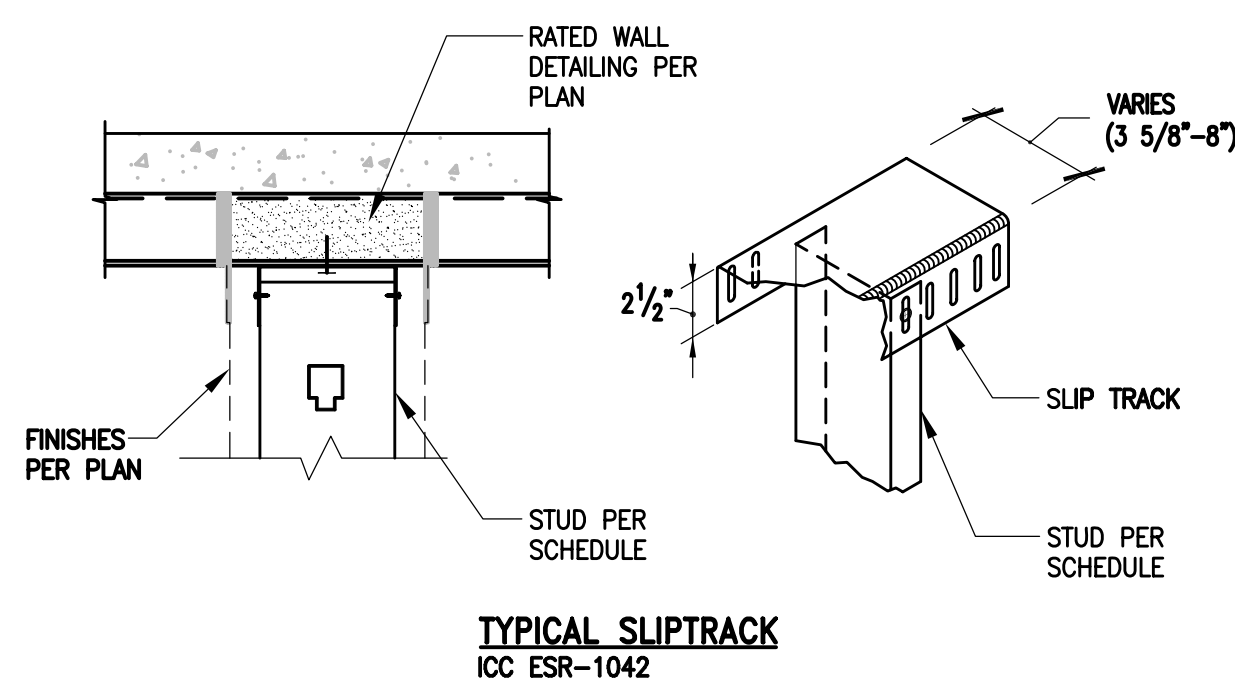


WALL SCHEDULES

TOP CONNECTION

WALL HT.	TOP TRACK THICKNESS	SHAFT WALL
0'-0" TO 13'-6"	54 MIL	
13'-7" TO 16'-6"	54 MIL	
16'-7" TO 18'-6"	54 MIL	
18'-7" TO 20'-6"	54 MIL	

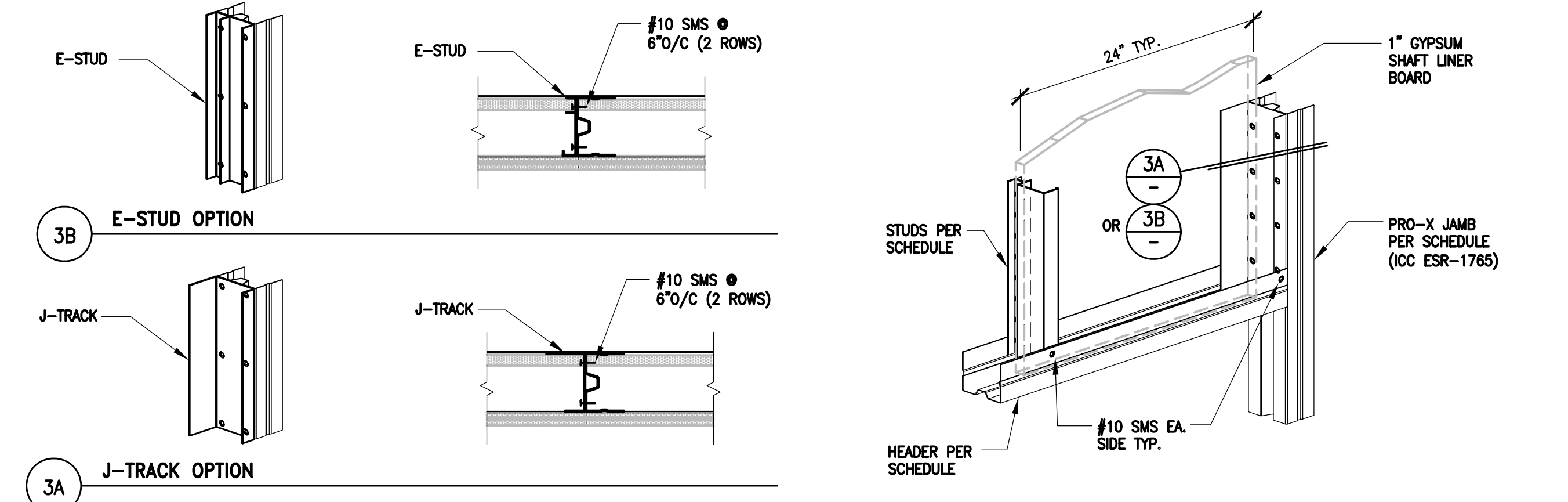
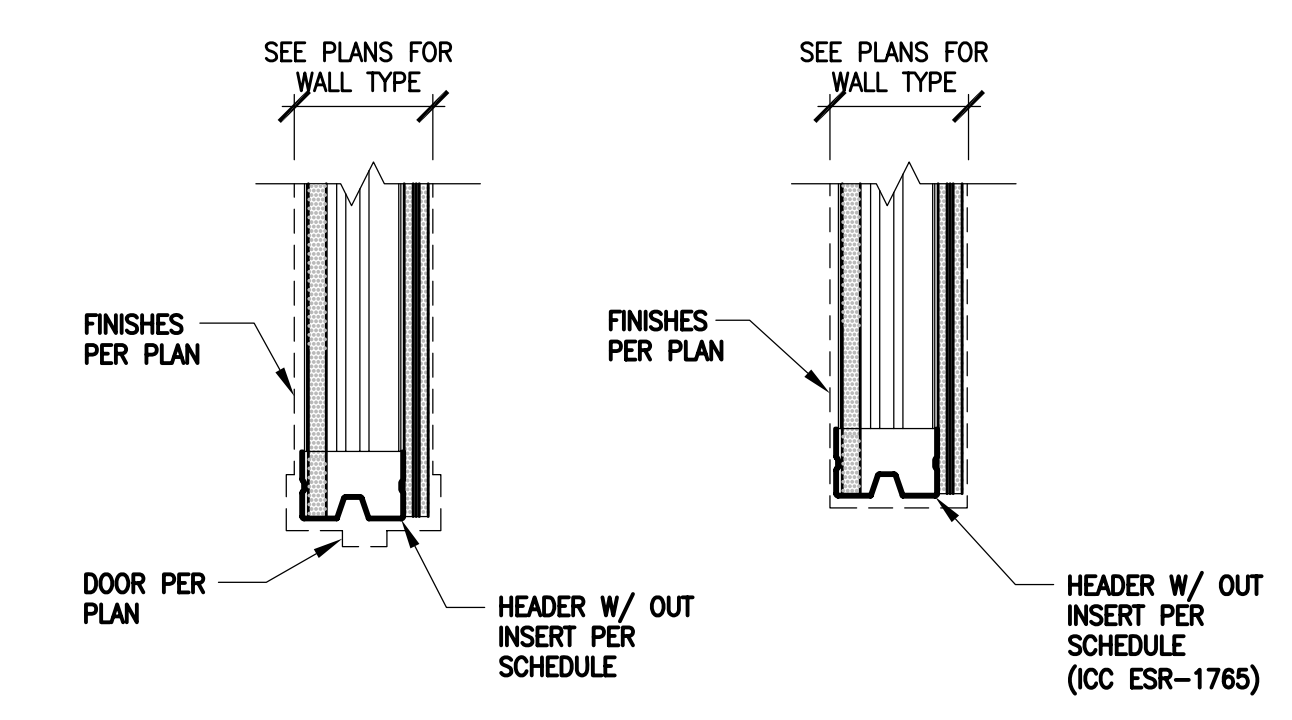


TYP. TOP CONNECTION DETAILS

1 1/2'-1'-0" 4

HEADER - SHAFT

WALL HT.	MAX. OPENING WIDTH	INTERIOR SHAFTWALL HEADER SCHEDULE - L/240-
0'-0" TO 4'-3"	4'-4" TO 6'-3"	400X425-54 OR 600X425-54
4'-4" TO 6'-3"	6'-4" TO 7'-3"	400X425-54 OR 600X425-54
6'-4" TO 7'-3"	7'-4" TO 8'-3"	400X425-54 OR 600X425-54
7'-4" TO 8'-3"		400X25-54 OR 600X25-54

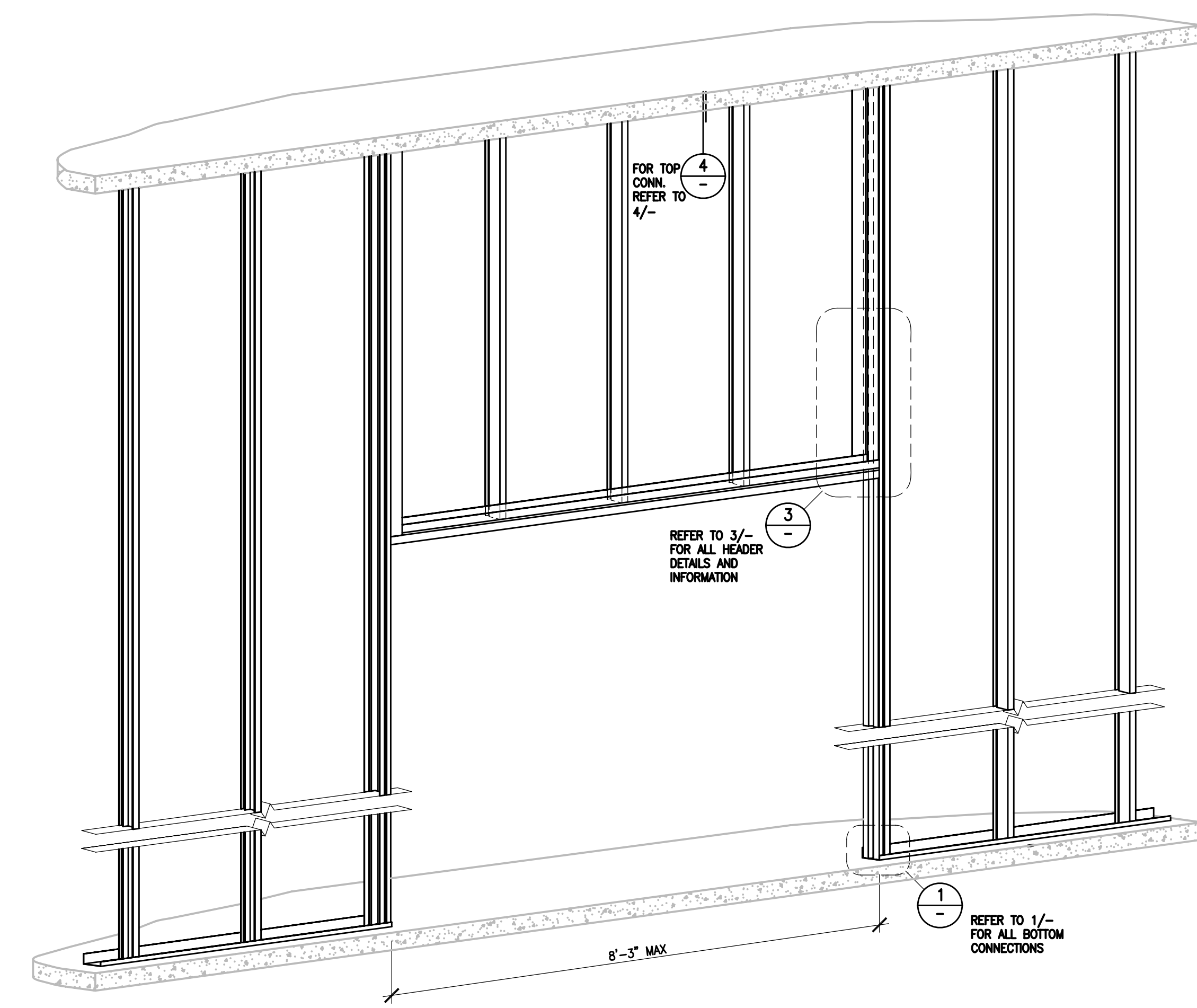
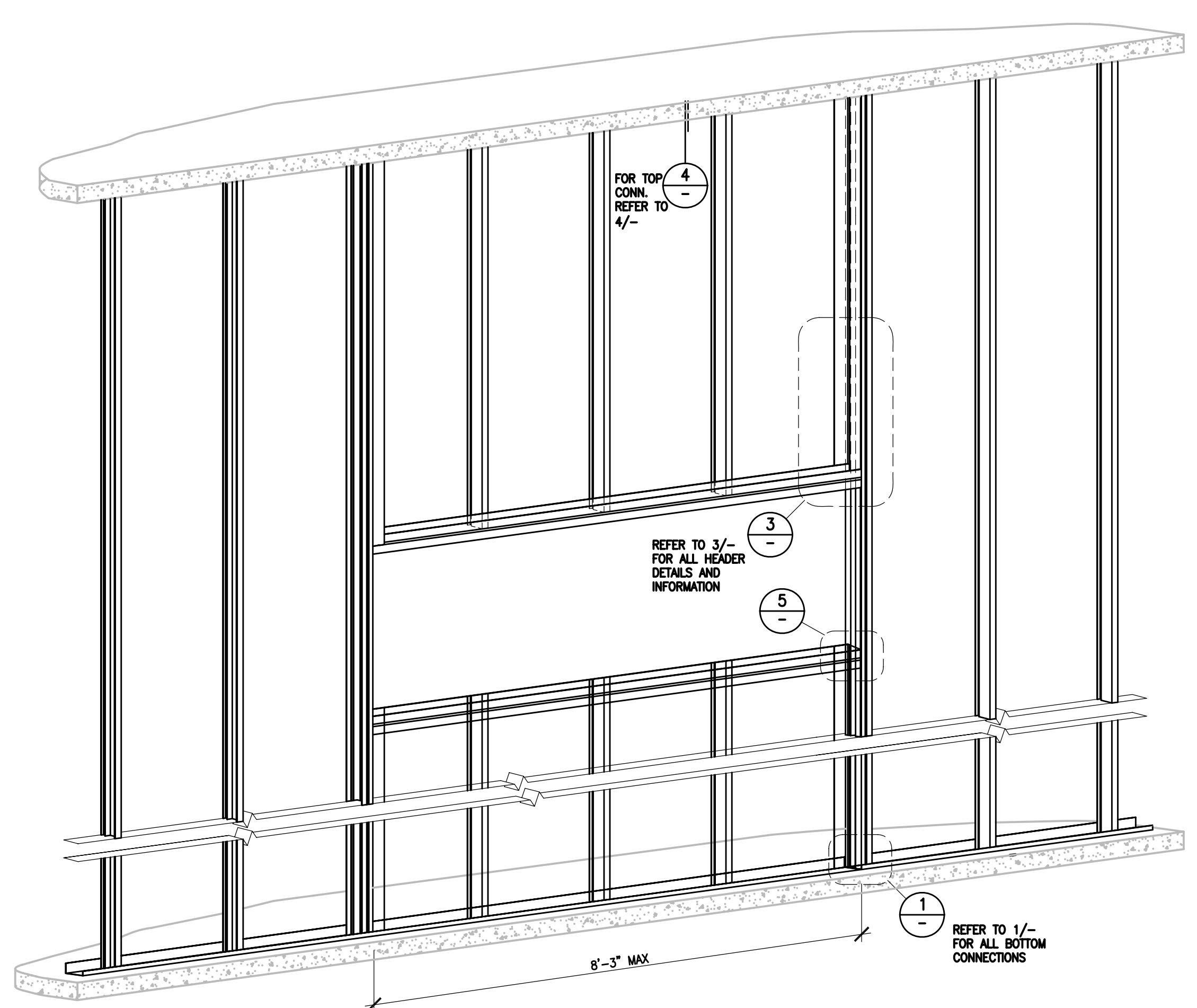


TYP. HEADER CONNECTIONS

1 1/2'-1'-0" 3

JAMB - SHAFT

STUD SIZE	WALL HT.	MAX. OPENING WIDTH	INTERIOR SHAFTWALL JAMB STUD SCHEDULE - L/240-
4"	0'-0" TO 13'-6"	4'-4" TO 6'-3"	(1) 400X425-54 OR 600JR-54
4"	13'-7" TO 16'-6"	6'-4" TO 7'-3"	(1) 400X425-54 OR 600JR-54
4"	16'-7" TO 18'-6"	7'-4" TO 8'-3"	(1) 400X425-54 OR 600JR-54
6"	18'-7" TO 20'-6"		(1) 600X425-54 OR 600JR-54



TYP. SHAFTWALL ELEVATION AT DUCT OPENING

TYP. SHAFTWALL ELEVATION AT DOOR OPENING

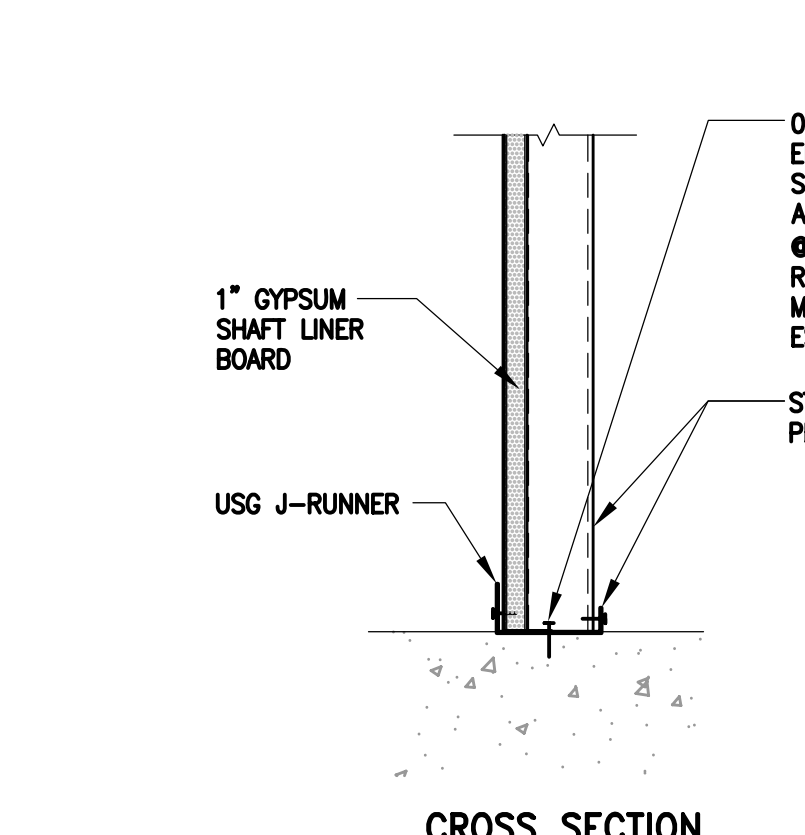
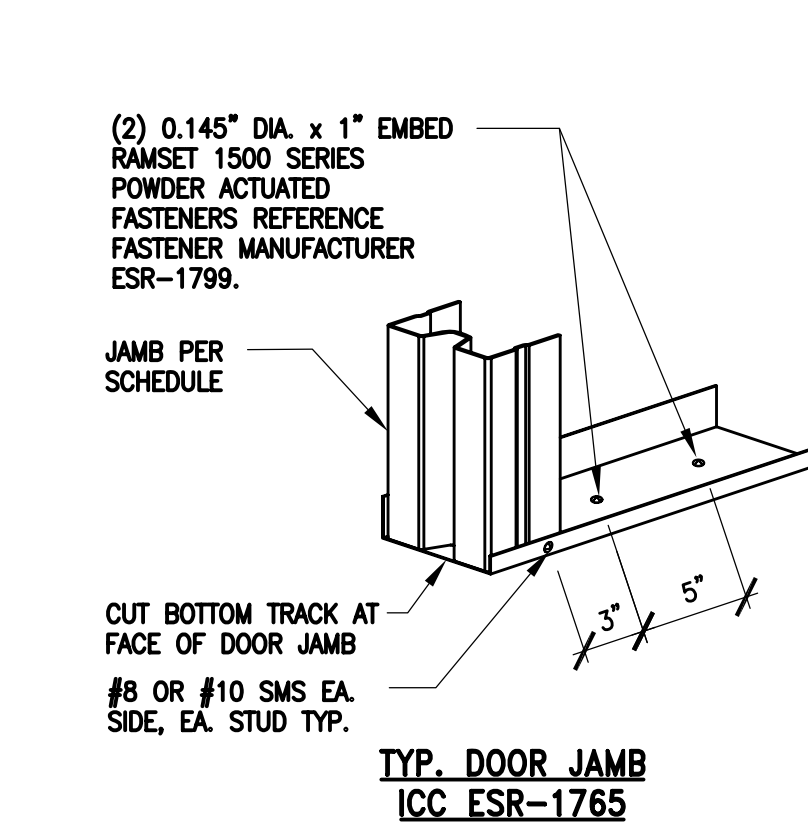
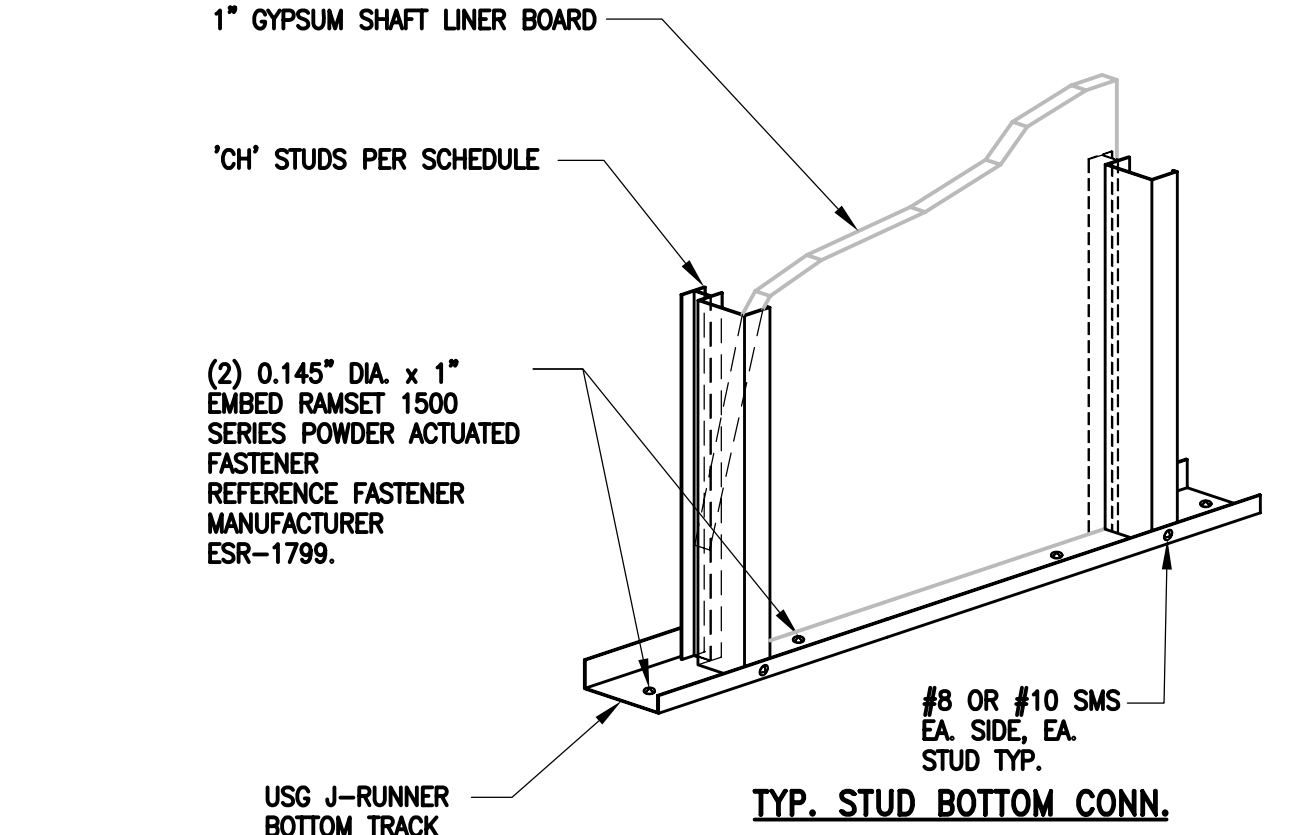
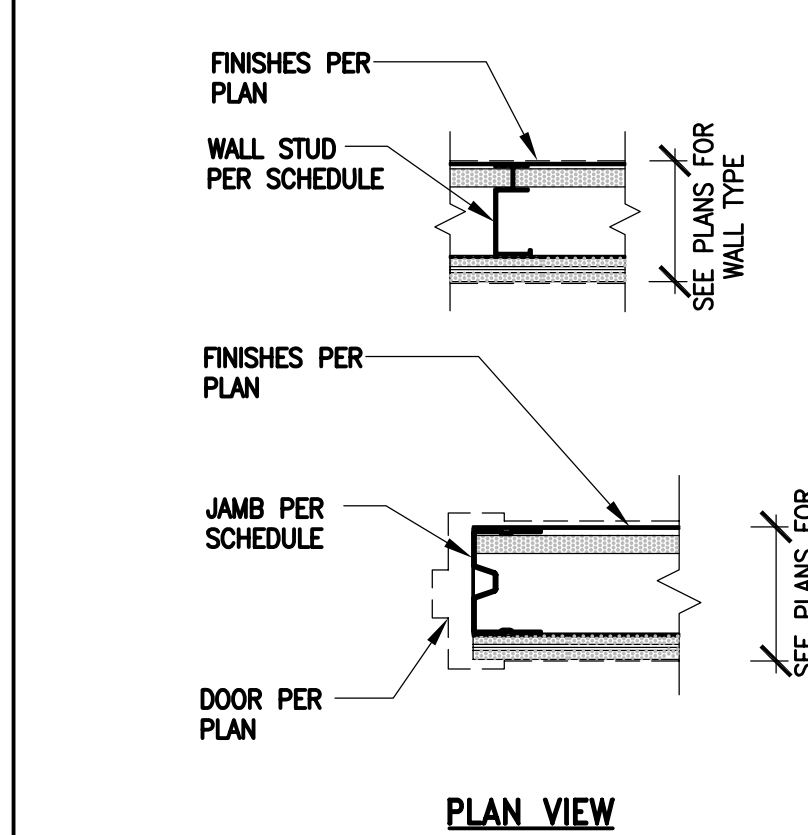
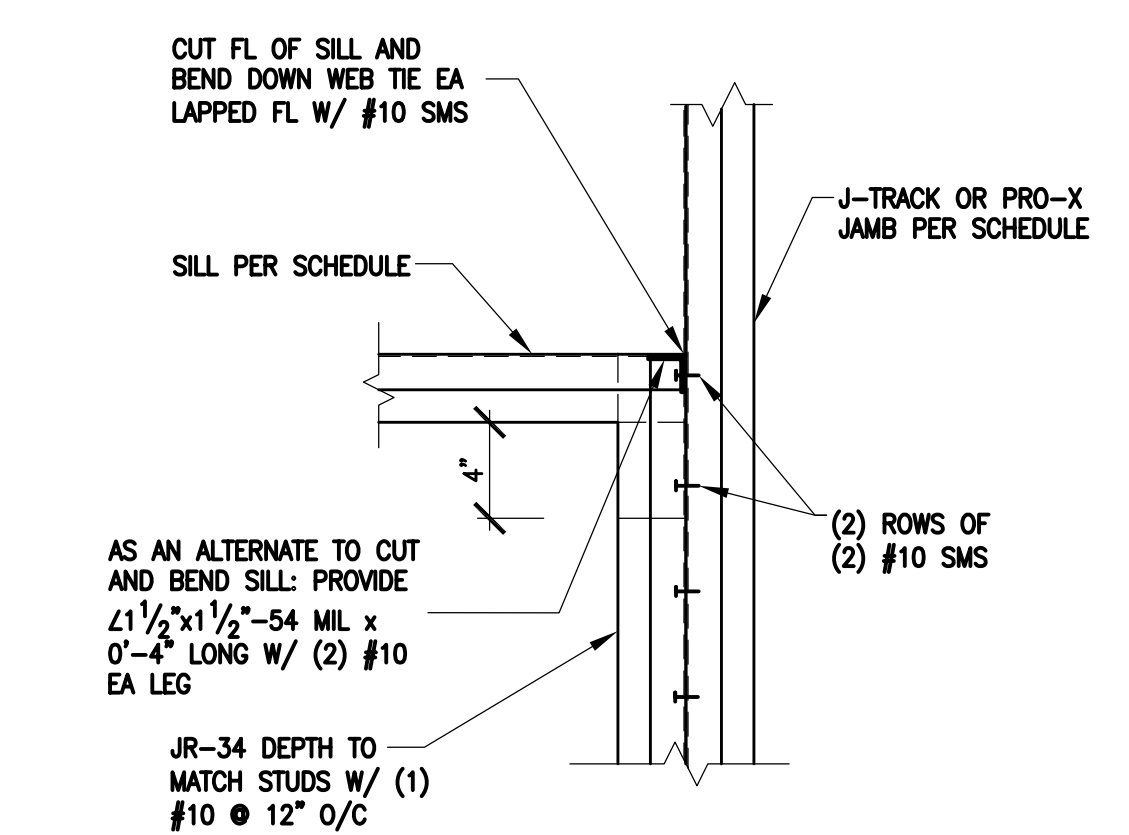
N.T.S. 2

SILL

WALL HT.	MAX. OPENING WIDTH	INTERIOR SHAFTWALL JAMB SILL SCHEDULE - L/240-
0'-0" TO 13'-6"	4'-3"	400JR-54
13'-7" TO 16'-6"	6'-3"	400JR-54
16'-7" TO 18'-6"	7'-3"	400JR-54
18'-7" TO 20'-6"	8'-3"	400JR-54

SHAFT STUD

WALL HT.	STUD DESCRIPTION (2) LAYER O.P.	INTERIOR SHAFTWALL TYPICAL STUD SCHEDULE - L/240-
0'-0" TO 13'-6"	400CH-34 @ 24"/C OR 400CH-34 @ 24"/C	
13'-7" TO 16'-6"	400CH-34 @ 24"/C OR 600CH-34 @ 24"/C	
16'-7" TO 18'-6"	600CH-34 @ 24"/C	
18'-7" TO 20'-6"	600CH-34 @ 24"/C	



SHAFT WALL SILL TO JAMB CONN.

TYP. BOTTOM CONNECTION DETAILS

1 1/2'-1'-0" 1

BOTTOM CONNECTION

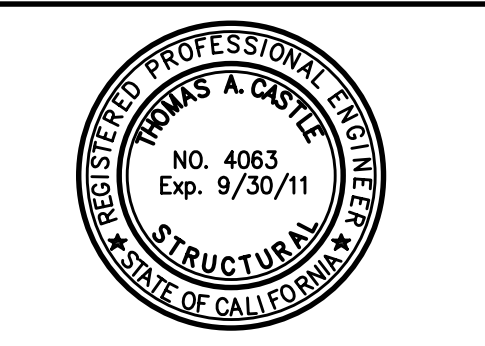
WALL HT.	BOTTOM TRACK THICKNESS	(2) LAYER GYPSUM
0'-0" TO 13'-6"	400JR-34 OR 600JR-34	
13'-7" TO 16'-6"	600JR-34	
16'-7" TO 18'-6"	600JR-34	
18'-7" TO 20'-6"	600JR-34	

NOTE: ENGINEER SHALL SPECIFY GAUGE AND SIZE OF PRO-X PRODUCTS USING THE PROJECT LOADS AND SPANS ALONG WITH THE SECTION PROPERTIES PROVIDED IN THE ICC ESR-1765 REPORT.

Brady Construction Innovations, Inc.  
www.proxheader.com  
ICC ESR-1765  
Tel: (888) 475-7875

Piccamenti Waggoner & Castle  
Consulting Structural Engineers  
3100 Oak Road, Suite 390  
Walnut Creek, California 94597  
Tel: (925) 280-0098  
Fax: (925) 280-0096

PRO-X HEADER  
ICC ESR-1765  
SHAFT WALL DETAILS



REV.	DATE	DESCRIPTION

DRAWN BY: EMB  
DATE: 01-14-10  
SHEET TITLE: SHAFT WALL DETAILS  
PROJECT NO.:  
SHEET NO.: