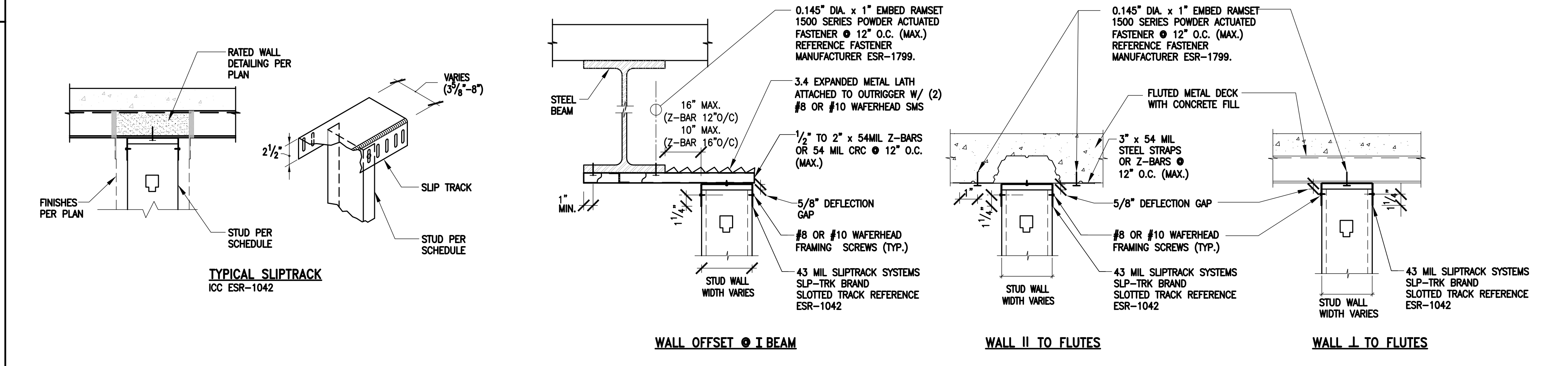


4" WALL SCHEDULES

WALL HEIGHT	INTERIOR TOP TRACK SCHEDULE -L/240-	
	(1) LAYER GYPSUM TOP TRACK THICKNESS	(2) LAYER GYPSUM TOP TRACK THICKNESS
0'-0" TO 13'-6"	54 MIL	54 MIL
13'-7" TO 16'-6"	54 MIL	54 MIL
16'-7" TO 18'-6"	54 MIL	54 MIL
18'-7" TO 20'-6"	54 MIL	54 MIL

6" WALL SCHEDULES

WALL HEIGHT	INTERIOR TOP TRACK SCHEDULE -L/240-	
	(1) LAYER GYPSUM TOP TRACK THICKNESS	(2) LAYER GYPSUM TOP TRACK THICKNESS
0'-0" TO 13'-6"	54 MIL	54 MIL
13'-7" TO 16'-6"	54 MIL	54 MIL
16'-7" TO 18'-6"	54 MIL	54 MIL
18'-7" TO 20'-6"	54 MIL	54 MIL



WALL HEIGHT	INTERIOR HEADER SCHEDULE -L/240- WALLS W/ (1) LAYER GYPSUM			
	MAX. OPENING WIDTH			
0'-0" TO 13'-6"	400X425-54	400X425-54	400X425-54	400X425-54
13'-7" TO 16'-6"	400X425-54	400X425-54	400X425-54	400X425-54
16'-7" TO 18'-6"	400X425-54	400X425-54	400X425-54	400X425-54
18'-7" TO 20'-6"	400X425-54	400X425-54	400X425-54	400X425-54

WALL HEIGHT	INTERIOR HEADER SCHEDULE -L/240- WALLS W/ (1) LAYER GYPSUM			
	MAX. OPENING WIDTH			
0'-0" TO 13'-6"	600X425-54	600X425-54	600X425-54	600X425-54
13'-7" TO 16'-6"	600X425-54	600X425-54	600X425-54	600X425-54
16'-7" TO 18'-6"	600X425-54	600X425-54	600X425-54	600X425-54
18'-7" TO 20'-6"	600X425-54	600X425-54	600X425-54	600X425-54

WALL HEIGHT	INTERIOR HEADER SCHEDULE -L/240- WALLS W/ (2) LAYER GYPSUM			
	MAX. OPENING WIDTH			
0'-0" TO 13'-6"	400X425-54	400X425-54	400X425-54	400X425-54
13'-7" TO 16'-6"	400X425-54	400X425-54	400X425-54	400X425-54
16'-7" TO 18'-6"	400X425-54	400X425-54	400X425-54	400X425-54
18'-7" TO 20'-6"	400X425-54	400X425-54	400X425-54	400X425-54

WALL HEIGHT	INTERIOR HEADER SCHEDULE -L/240- WALLS W/ (2) LAYER GYPSUM			
	MAX. OPENING WIDTH			
0'-0" TO 13'-6"	600X425-54	600X425-54	600X425-54	600X425-54
13'-7" TO 16'-6"	600X425-54	600X425-54	600X425-54	600X425-54
16'-7" TO 18'-6"	600X425-54	600X425-54	600X425-54	600X425-54
18'-7" TO 20'-6"	600X425-54	600X425-54	600X425-54	600X425-54

WALL HEIGHT	INTERIOR JAMB STUD SCHEDULE -L/240- WALLS W/ (1) LAYER GYPSUM			
	MAX. OPENING WIDTH			
0'-0" TO 13'-6"	(1) 400S162-54	(1) 400S162-54	(1) 400S162-54	(1) 400S162-54
13'-7" TO 16'-6"	(1) 400S162-54	(1) 400S162-54	(1) 400S300-54	(1) 400S300-54
16'-7" TO 18'-6"	(1) 400S200-54	(1) 400S200-54	(1) 400S300-54	(1) 400S300-54
18'-7" TO 20'-6"	(1) 400S200-54	(1) 400S200-54	(1) 400S300-54	(1) 400S300-54

WALL HEIGHT	INTERIOR JAMB STUD SCHEDULE -L/240- WALLS W/ (1) LAYER GYPSUM			
	MAX. OPENING WIDTH			
0'-0" TO 13'-6"	(1) 600S162-54	(1) 600S162-54	(1) 600S162-54	(1) 600S162-54
13'-7" TO 16'-6"	(1) 600S162-54	(1) 600S162-54	(1) 600S162-54	(1) 600S162-54
16'-7" TO 18'-6"	(1) 600S162-54	(1) 600S162-54	(1) 600S162-54	(1) 600S162-54
18'-7" TO 20'-6"	(1) 600S162-54	(1) 600S162-54	(1) 600S162-54	(1) 600S162-54

WALL HEIGHT	INTERIOR JAMB STUD SCHEDULE -L/240- WALLS W/ (1) LAYER GYPSUM			
	MAX. OPENING WIDTH			
0'-0" TO 13'-6"	(1) 400S162-54	(1) 400S162-54	(1) 400S300-54	(1) 400S300-54
13'-7" TO 16'-6"	(1) 400S162-54	(1) 400S162-54	(1) 400S300-54	(1) 400S300-54
16'-7" TO 18'-6"	(1) 400S200-54	(1) 400S200-54	(1) 400S300-54	(1) 400S300-54
18'-7" TO 20'-6"	(1) 400S200-54	(1) 400S200-54	(1) 400S300-54	(1) 400S300-54

WALL HEIGHT	INTERIOR JAMB STUD SCHEDULE -L/240- WALLS W/ (1) LAYER GYPSUM			
	MAX. OPENING WIDTH			
0'-0" TO 13'-6"	(1) 600S162-54	(1) 600S162-54	(1) 600S162-54	(1) 600S162-54
13'-7" TO 16'-6"	(1) 600S162-54	(1) 600S162-54	(1) 600S162-54	(1) 600S162-54
16'-7" TO 18'-6"	(1) 600S162-54	(1) 600S162-54	(1) 600S162-54	(1) 600S162-54
18'-7" TO 20'-6"	(1) 600S162-54	(1) 600S162-54	(1) 600S162-54	(1) 600S162-54

WALL HEIGHT	SILL SCHEDULE -L/240- W/ (1) OR (2) LAYERS GYPSUM			
	MAX. OPENING WIDTH			
0'-0" TO 13'-6"	400T150-54	400T150-54	400T150-54	400T150-54
13'-7" TO 16'-6"	400T150-54	400T150-54	400T150-54	400T150-54
16'-7" TO 18'-6"	400T150-54	400T150-54	400T150-54	400T150-54
18'-7" TO 20'-6"	400T150-54	400T150-54	400T150-54	400T150-54

WALL HEIGHT	SILL SCHEDULE -L/240- W/ (1) OR (2) LAYERS GYPSUM			
	MAX. OPENING WIDTH			
0'-0" TO 13'-6"	600T150-54	600T150-54	600T150-54	600T150-54
13'-7" TO 16'-6"	600T150-54	600T150-54	600T150-54	600T150-54
16'-7" TO 18'-6"	600T150-54	600T150-54	600T150-54	600T150-54
18'-7" TO 20'-6"	600T150-54	600T150-54	600T150-54	600T150-54

WALL HEIGHT	INTERIOR TYPICAL STUD SCHEDULE -L/240-	
	STUD DESCRIPTION (1) LAYER GYP.	STUD DESCRIPTION (2) LAYER GYP.
0'-0" TO 13'-6"	400S162-54 @ 16"/O.C.	400S162-54 @ 16"/O.C.
13'-7" TO 16'-6"	400S162-54 @ 16"/O.C.	400S162-54 @ 16"/O.C.
16'-7" TO 18'-6"	400S162-54 @ 16"/O.C.	400S162-54 @ 16"/O.C.
18'-7" TO 20'-6"	400S162-54 @ 16"/O.C.	400S162-54 @ 16"/O.C.

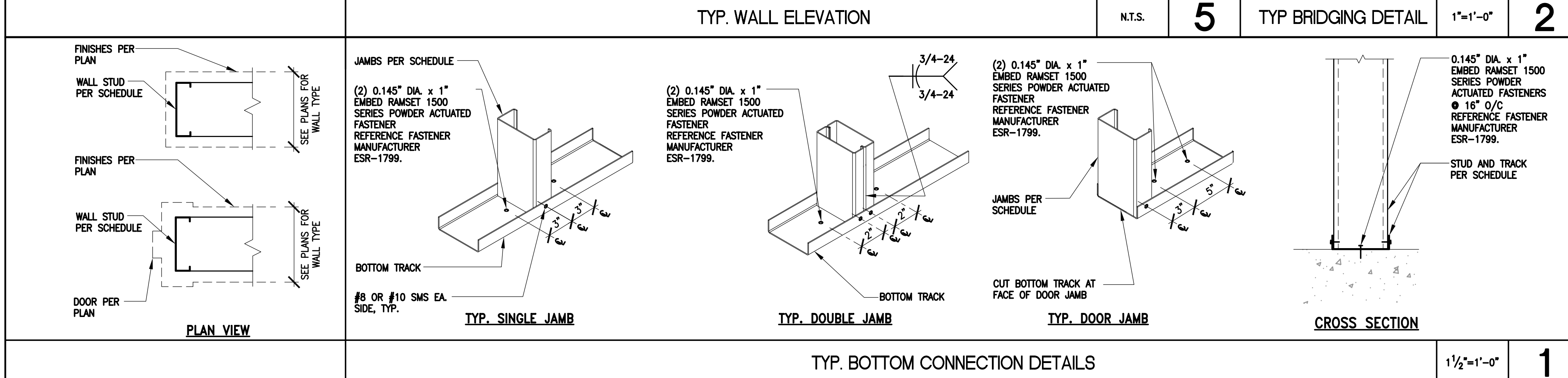
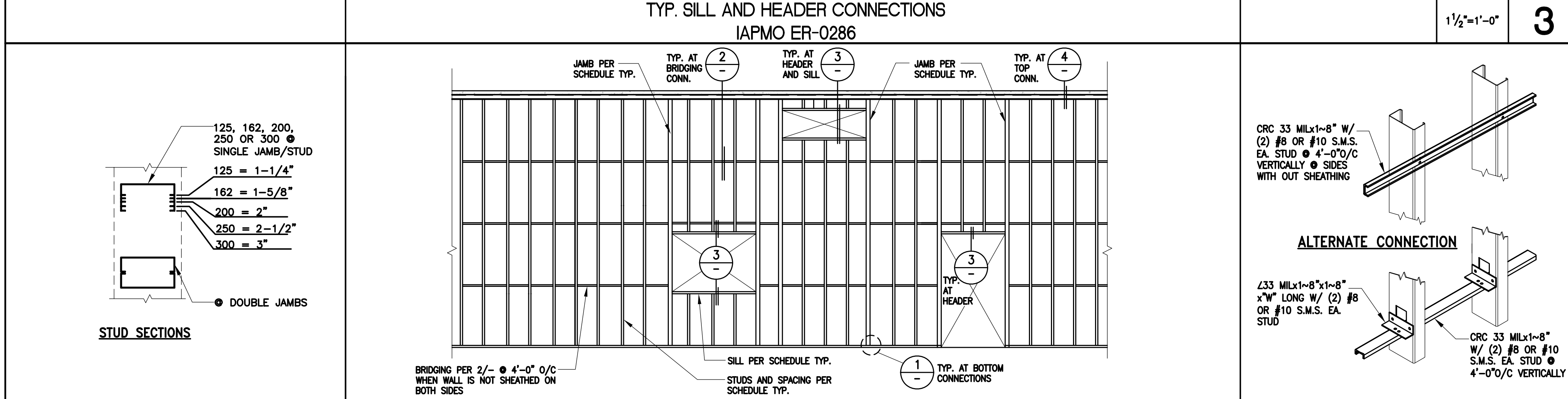
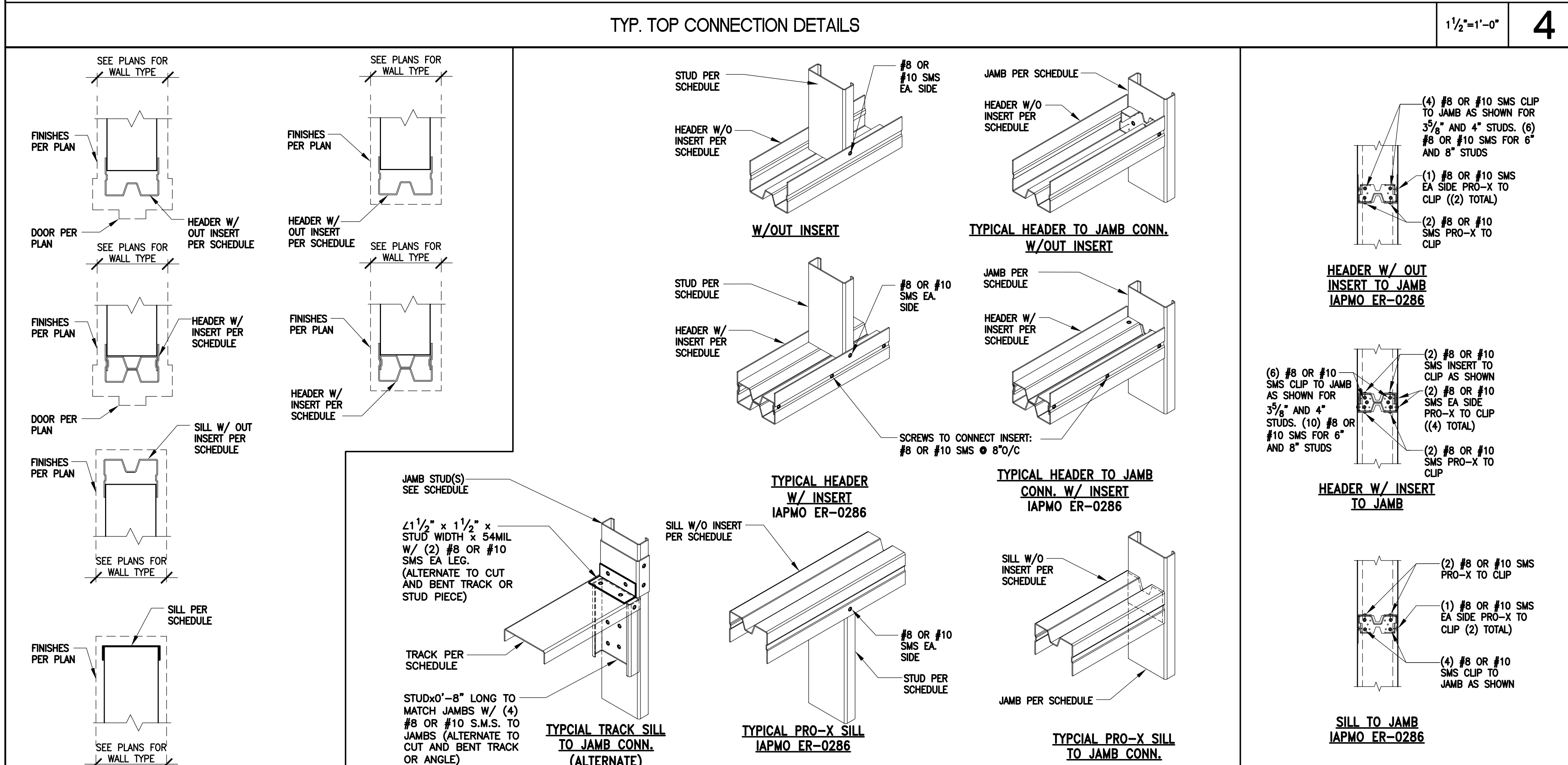
WALL HEIGHT	INTERIOR TYPICAL STUD SCHEDULE -L/240-	
	STUD DESCRIPTION (1) LAYER GYP.	STUD DESCRIPTION (2) LAYER GYP.
0'-0" TO 13'-6"	600S162-54 @ 16"/O.C.	600S162-54 @ 16"/O.C.
13'-7" TO 16'-6"	600S162-54 @ 16"/O.C.	600S162-54 @ 16"/O.C.
16'-7" TO 18'-6"	600S162-54 @ 16"/O.C.	600S162-54 @ 16"/O.C.
18'-7" TO 20'-6"	600S162-54 @ 16"/O.C.	600S162-54 @ 16"/O.C.

WALL HEIGHT	INTERIOR BOTTOM TRACK SCHEDULE -L/240-	
	(1) LAYER GYPSUM BOTTOM TRACK THICKNESS	(2) LAYER GYPSUM BOTTOM TRACK THICKNESS
0'-0" TO 13'-6"	54 MIL	54 MIL
13'-7" TO 16'-6"	54 MIL	54 MIL
16'-7" TO 18'-6"	54 MIL	54 MIL
18'-7" TO 20'-6"	54 MIL	54 MIL

WALL HEIGHT	INTERIOR BOTTOM TRACK SCHEDULE -L/240-	
	(1) LAYER GYPSUM BOTTOM TRACK THICKNESS	(2) LAYER GYPSUM BOTTOM TRACK THICKNESS
0'-0" TO 13'-6"	54 MIL	54 MIL
13'-7" TO 16'-6"	54 MIL	54 MIL
16'-7" TO 18'-6"	54 MIL	54 MIL
18'-7" TO 20'-6"	54 MIL	54 MIL

WALL HEIGHT	INTERIOR BOTTOM TRACK SCHEDULE -L/240-	
	(1) LAYER GYPSUM BOTTOM TRACK THICKNESS	(2) LAYER GYPSUM BOTTOM TRACK THICKNESS
0'-0" TO 13'-6"	54 MIL	54 MIL
13'-7" TO 16'-6"	54 MIL	54 MIL
16'-7" TO 18'-6"	54 MIL	54 MIL
18'-7" TO 20'-6"	54 MIL	54 MIL

WALL HEIGHT	INTERIOR BOTTOM TRACK SCHEDULE -L/240-	
	(1) LAYER GYPSUM BOTTOM TRACK THICKNESS	(2) LAYER GYPSUM BOTTOM TRACK THICKNESS
0'-0" TO 13'-6"	54 MIL	54 MIL
13'-7" TO 16'-6"	54 MIL	54 MIL
16'-7" TO 18'-6"	54 MIL	54 MIL
18'-7" TO 20'-6"	54 MIL	54 MIL



NOTE: ENGINEER SHALL SPECIFY GAUGE AND SIZE OF PRO-X PRODUCTS USING THE PROJECT LOADS AND SPANS ALONG WITH THE SECTION PROPERTIES PROVIDED IN THE IAPMO ER-0286 REPORT.

Brady Construction Innovations, Inc.
www.proxheader.com
IAPMO ER-0286
Tel: (888) 475-7875

FICCADENTI WAGGONER & CASTLE
Consulting Structural Engineers
3100 Oak Road, Suite 390
Walnut Creek, California 94597
Tel: (925) 280-0098
Fax: (925) 280-0096

PRO-X HEADER
IAPMO ER-0286
TYPICAL DETAILS

REGISTERED PROFESSIONAL ENGINEER
No. 4063
STATE OF CALIFORNIA

REV.	DATE	DESCRIPTION

DRAWN BY: **EMB**
DATE: **08-01-13**
SHEET TITLE: **TYPICAL PRO-X HEADER DETAILS**
PROJECT NO.:
SHEET NO.: