

WALL SCHEDULES

TOP CONNECTION

WALL HT.	TOP TRACK THICKNESS	SHAFT WALL
0'-0" TO 13'-6"	1/2"	54 MIL
13'-7" TO 16'-6"	3/4"	54 MIL
16'-7" TO 18'-6"	1"	54 MIL
18'-7" TO 20'-6"	1 1/2"	54 MIL

HEADER - SHAFT

WALL HT.	MAX. OPENING WIDTH	INTERIOR SHAFTWALL JAMB STUD SCHEDULE -1/240-
0'-0" TO 4'-3"	4'-4" TO 6'-3"	400X425-54 OR 600X425-54
4'-4" TO 6'-3"	6'-4" TO 7'-3"	400X425-54 OR 600X425-54
6'-4" TO 7'-3"	7'-4" TO 8'-3"	400X425-54 OR 600X425-54
7'-4" TO 8'-3"		400X425-54 OR 600X425-54
0'-0" TO 13'-6"		600X425-54 OR 600X425-54
13'-7" TO 16'-6"		600X425-54 OR 600X425-54
16'-7" TO 18'-6"		600X425-54 OR 600X425-54
18'-7" TO 20'-6"		600X425-54 OR 600X425-54

JAMB - SHAFT

STUD SIZE	WALL HT.	MAX. OPENING WIDTH	INTERIOR SHAFTWALL JAMB STUD SCHEDULE -1/240-
4"	0'-0" TO 13'-6"	4'-4" TO 6'-3"	(1) 400X425-54 OR 600X425-54
4"	13'-7" TO 16'-6"	6'-4" TO 7'-3"	(1) 400X425-54 OR 600X425-54
4"	16'-7" TO 18'-6"	7'-4" TO 8'-3"	(1) 400X425-54 OR 600X425-54
4"	18'-7" TO 20'-6"		(1) 400X425-54 OR 600X425-54

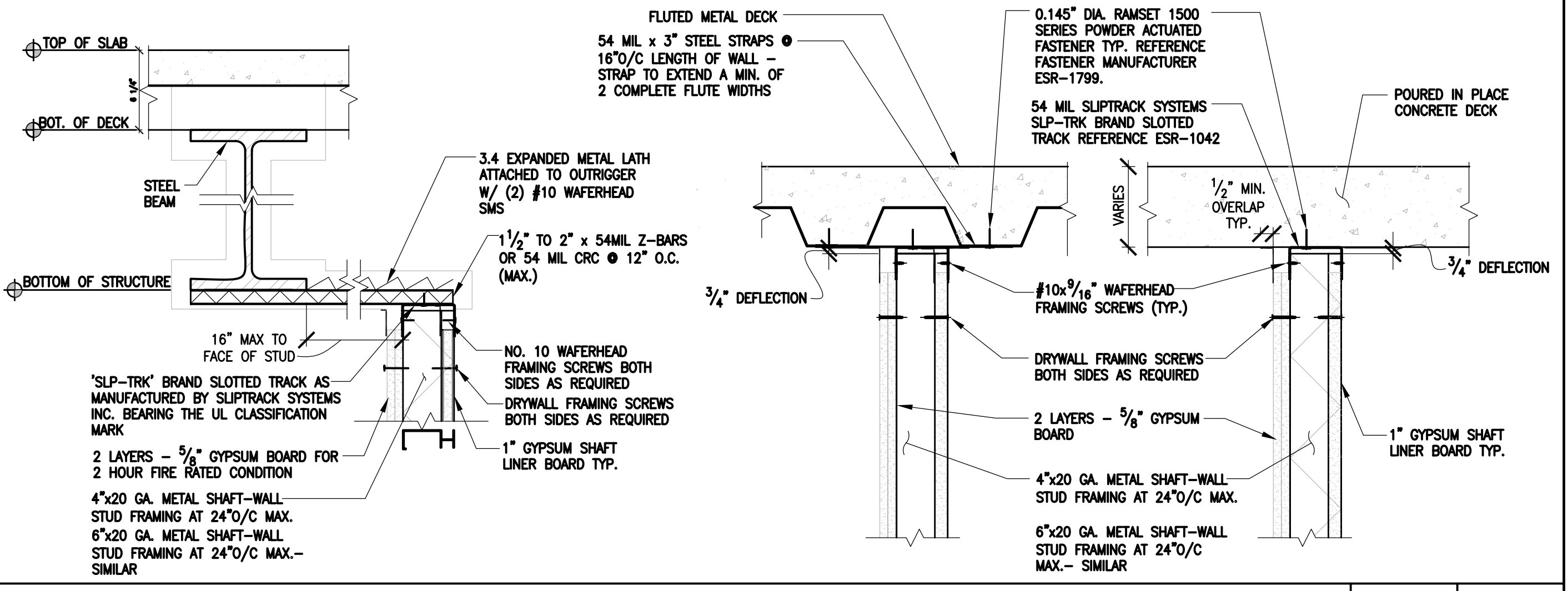
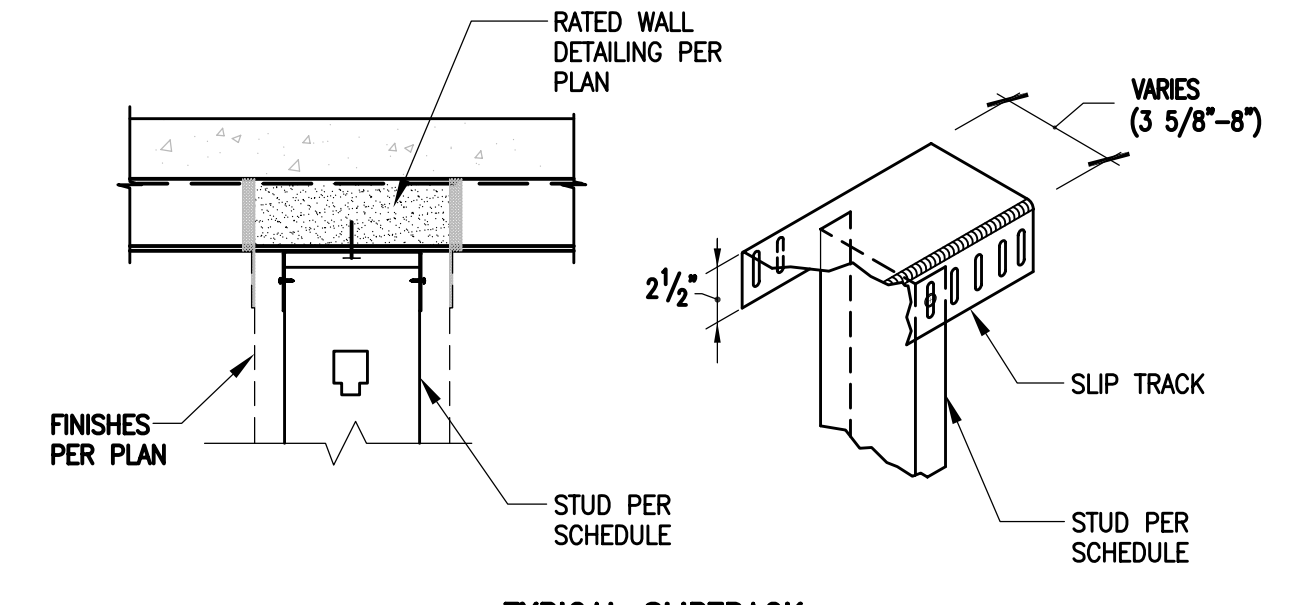
SHAFT STUD SILL

WALL HT.	MAX. OPENING WIDTH	INTERIOR SHAFTWALL JAMB STUD SCHEDULE -1/240-
0'-0" TO 13'-6"	4'-3"	400JR-54
13'-7" TO 16'-6"	4'-3"	400JR-54
16'-7" TO 18'-6"	4'-3"	400JR-54
18'-7" TO 20'-6"	4'-3"	400JR-54

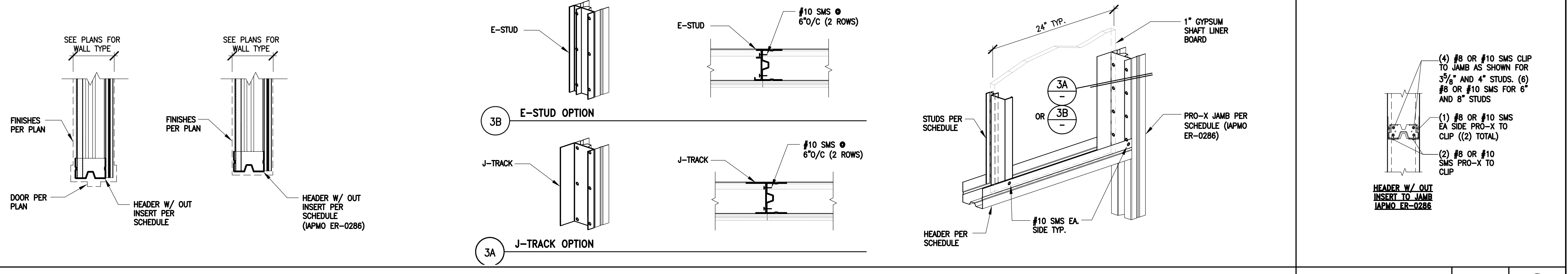
BOTTOM CONNECTION

WALL HT.	STUD DESCRIPTION (2) LAYER GYP.	INTERIOR SHAFTWALL TYPICAL STUD SCHEDULE -1/240-
0'-0" TO 13'-6"	400CH-34 @ 24"/C	400X425-54 OR 600X425-54
13'-7" TO 16'-6"	400CH-34 @ 24"/C	400X425-54 OR 600X425-54
16'-7" TO 18'-6"	600CH-34 @ 24"/C	600X425-54 OR 600X425-54
18'-7" TO 20'-6"	600CH-34 @ 24"/C	600X425-54 OR 600X425-54

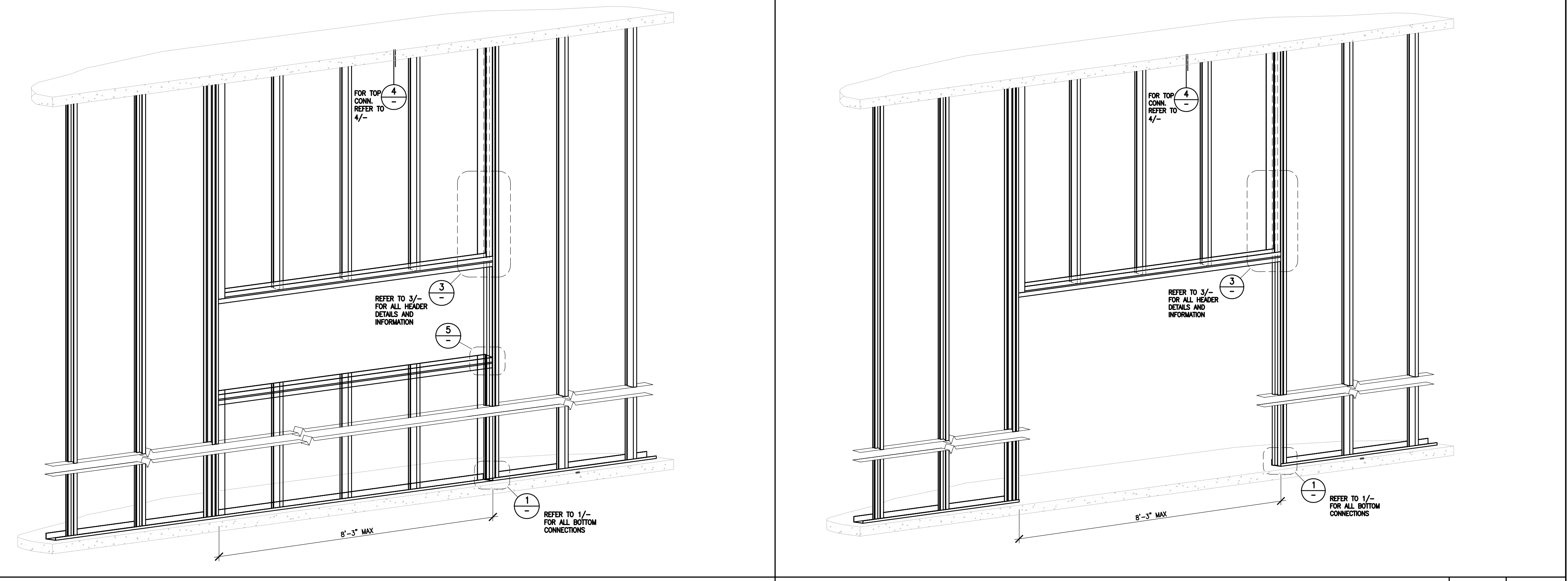
WALL HT.	BOTTOM TRACK THICKNESS	(2) LAYER GYPSUM
0'-0" TO 13'-6"	1/2"	600JR-34 OR 600JR-54
13'-7" TO 16'-6"	3/4"	600JR-34 OR 600JR-54
16'-7" TO 18'-6"	1"	600JR-34
18'-7" TO 20'-6"	1 1/2"	600JR-34



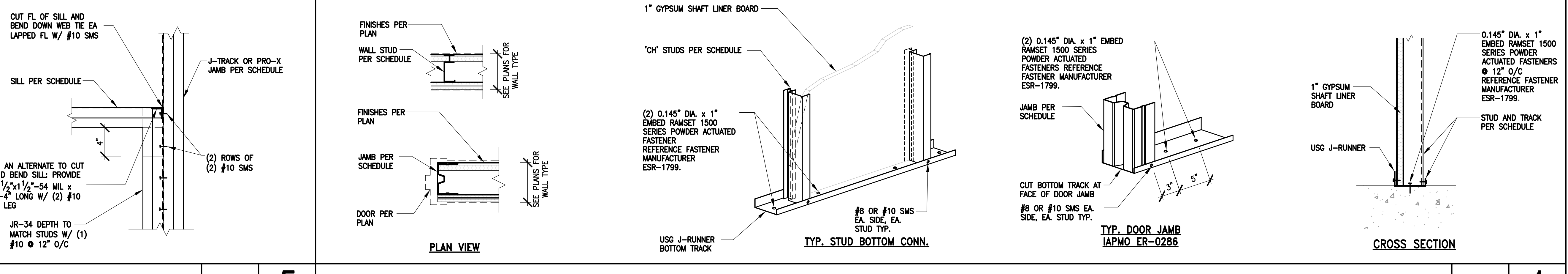
1 1/2"=1'-0" 4



1 1/2"=1'-0" 3



N.T.S. 2

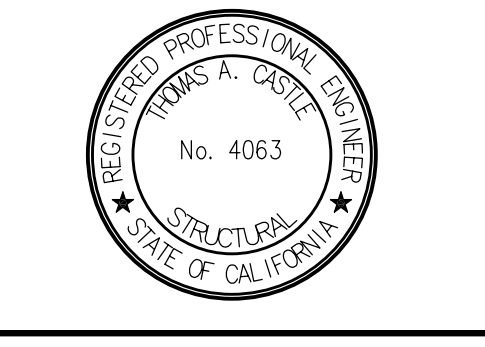


1 1/2"=1'-0" 1

NOTE: ENGINEER SHALL SPECIFY GAUGE AND SIZE OF PRO-X PRODUCTS USING THE PROJECT LOADS AND SPANS ALONG WITH THE SECTION PROPERTIES PROVIDED IN THE IAPMO ER-0286 REPORT.



PRO-X HEADER
IAPMO ER-0286
SHAFT WALL DETAILS



REV.	DATE	DESCRIPTION

DRAWN BY: EMB
DATE: 08-01-13
SHEET TITLE: SHAFT WALL DETAILS
PROJECT NO.:
SHEET NO.: