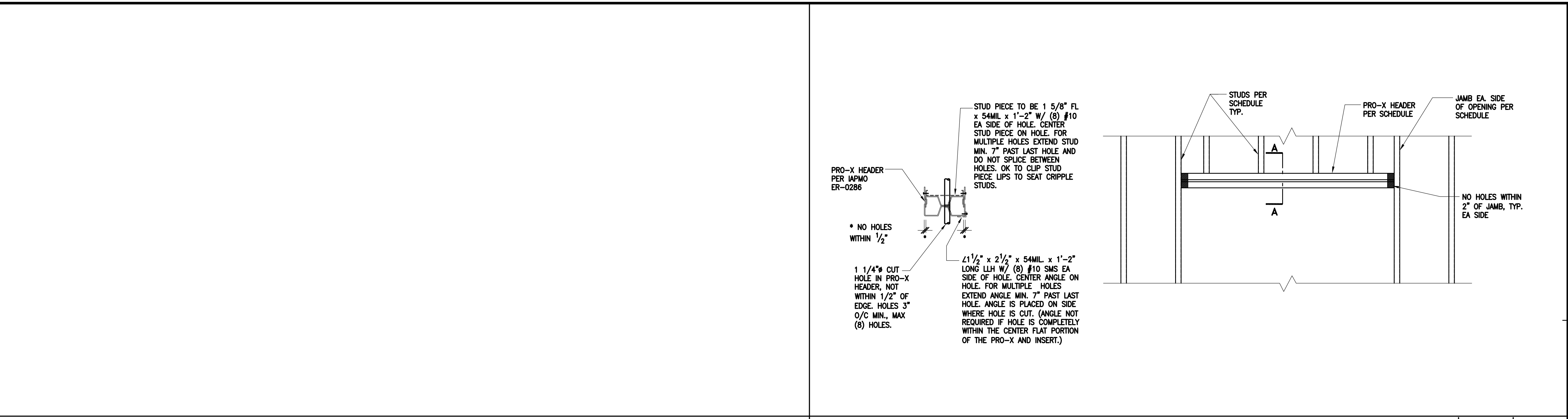


NOTES

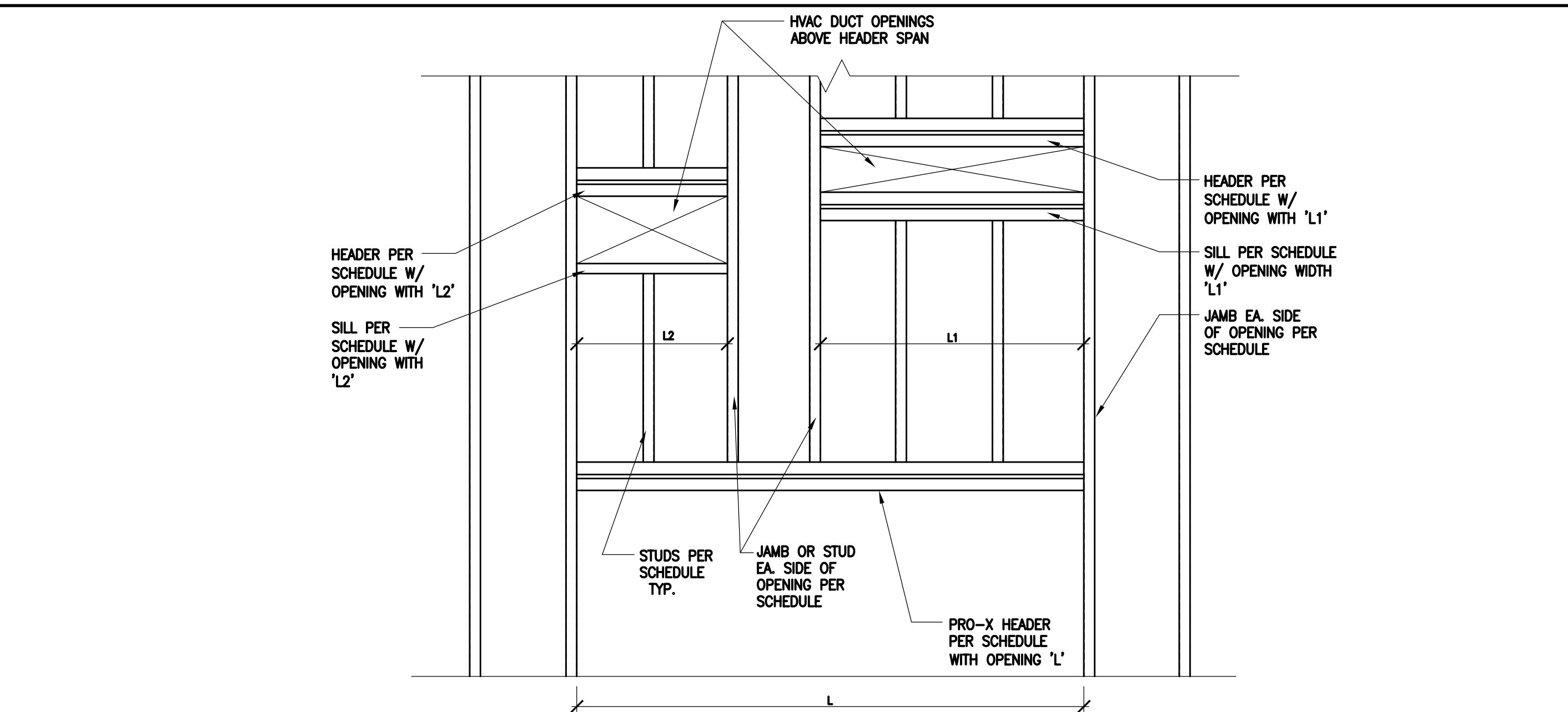
- (1). ENGINEER SHALL SPECIFY GAUGE AND SIZE OF PRO-X PRODUCTS USING THE PROJECT LOADS AND SPANS ALONG WITH THE SECTION PROPERTIES PROVIDED IN THE IAPMO ER-0286 REPORT.
- (2). FOR 3 5/8", 4", 6", 8" STUDS.
- (3). TOTAL WALL HEIGHT DOES NOT EXCEED 18'-0".
- (4). THE HOLE(S) ARE DRILLED USING A HOLE SAW, NOT BURNED WITH A CUTTING TORCH.
- (5). THE HOLE(S) DO NOT EXCEED 1 1/4" IN DIAMETER.
- (6). THE HOLE(S) ARE NOT PERMITTED TO BE WITHIN 2 INCHES OF THE END OF THE PRO-X HEADER.
- (7). THE HOLE(S) ARE NOT PERMITTED WITHIN 1/2" OF THE OUTER (BOTTOM) CORNERS OF THE PRO-X HEADER.
- (8). FOR PROJECT SPECIFIC CONDITIONS, CONTACT E.O.R.



FIX FOR VERTICAL PENETRATIONS IN PRO-X HEADER - WITH INSERT

N.T.S.

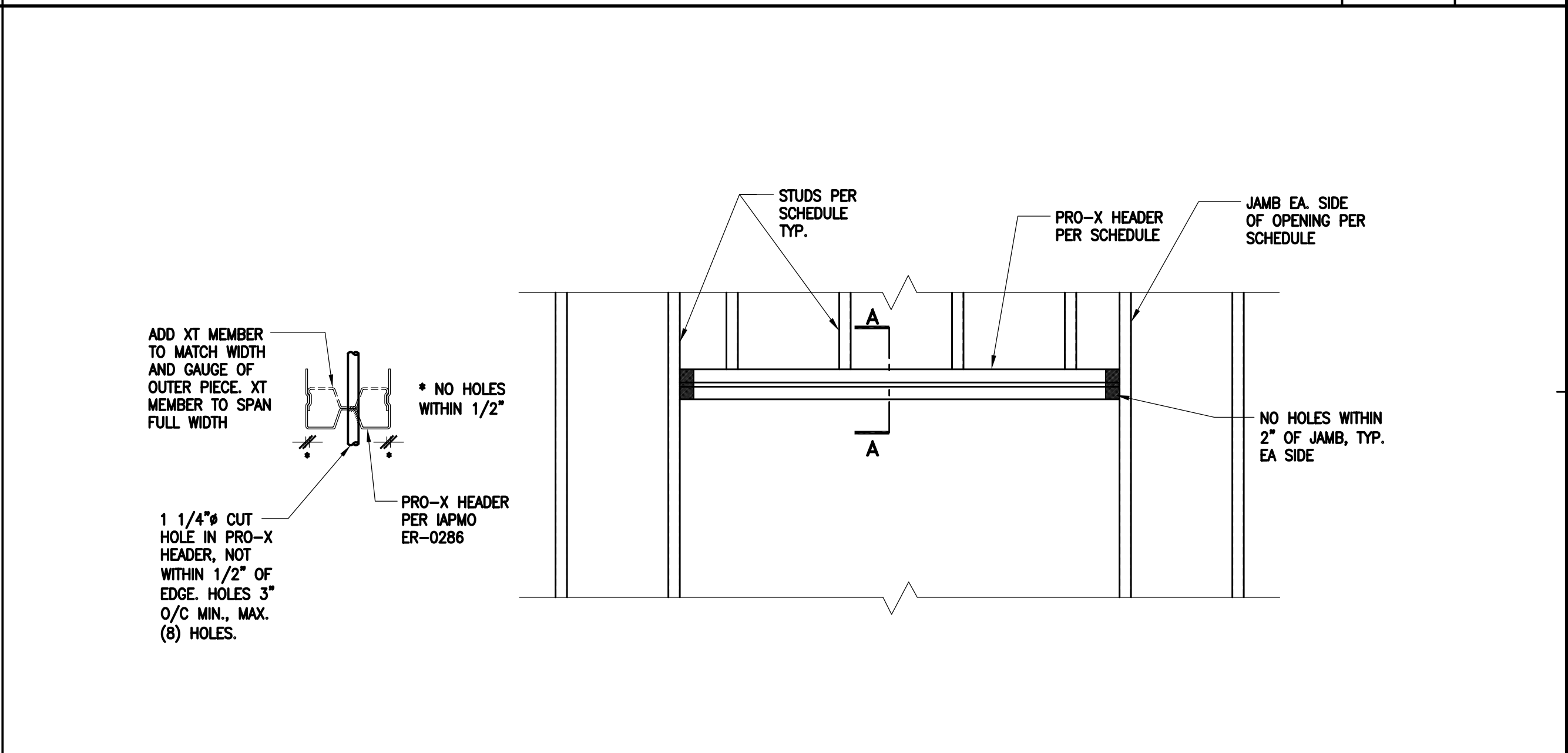
4



HVAC OPENINGS ABOVE PRO-X HEADER

N.T.S.

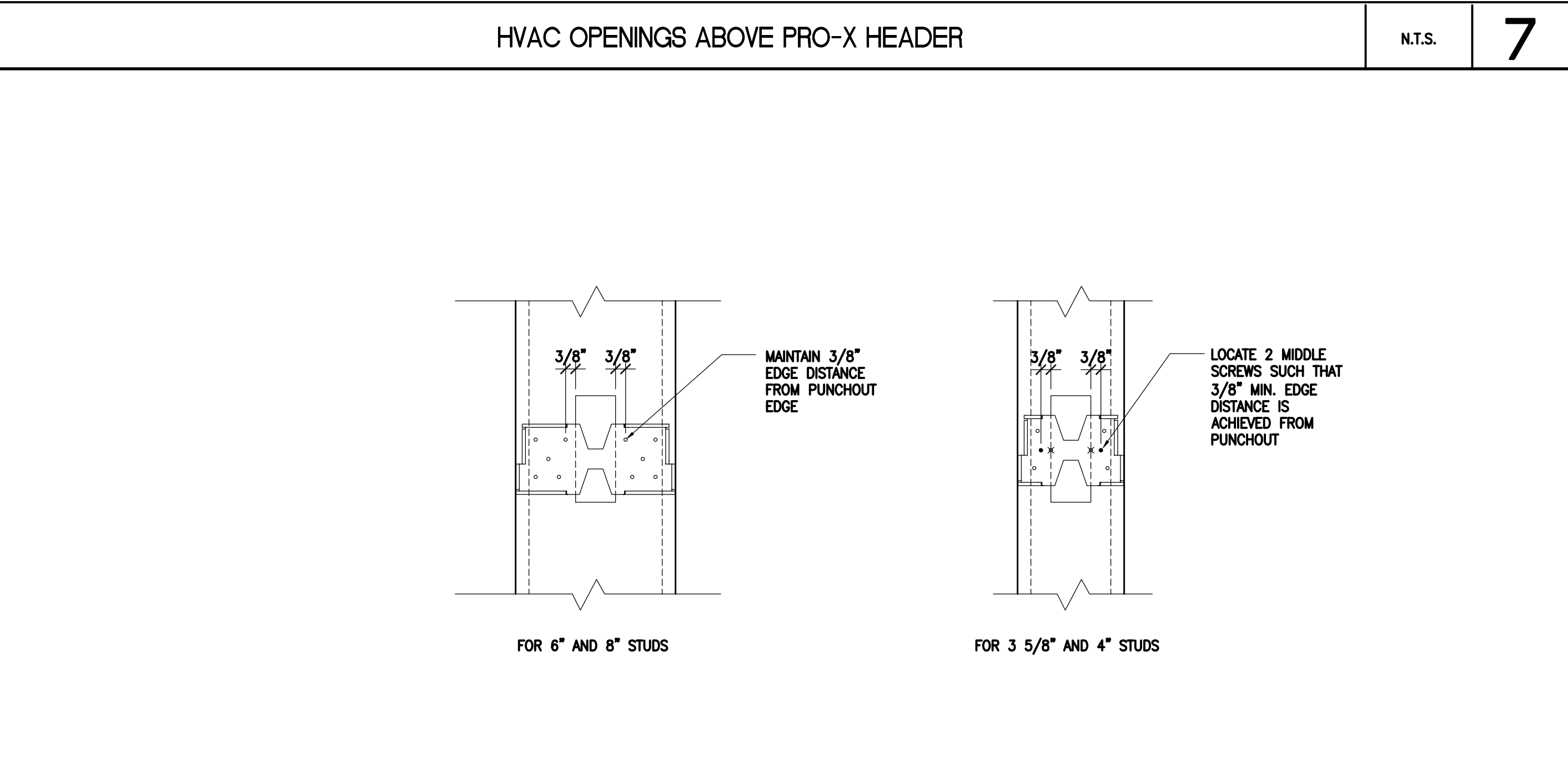
7



FIX FOR VERTICAL PENETRATIONS IN PRO-X HEADER - WITHOUT INSERT

N.T.S.

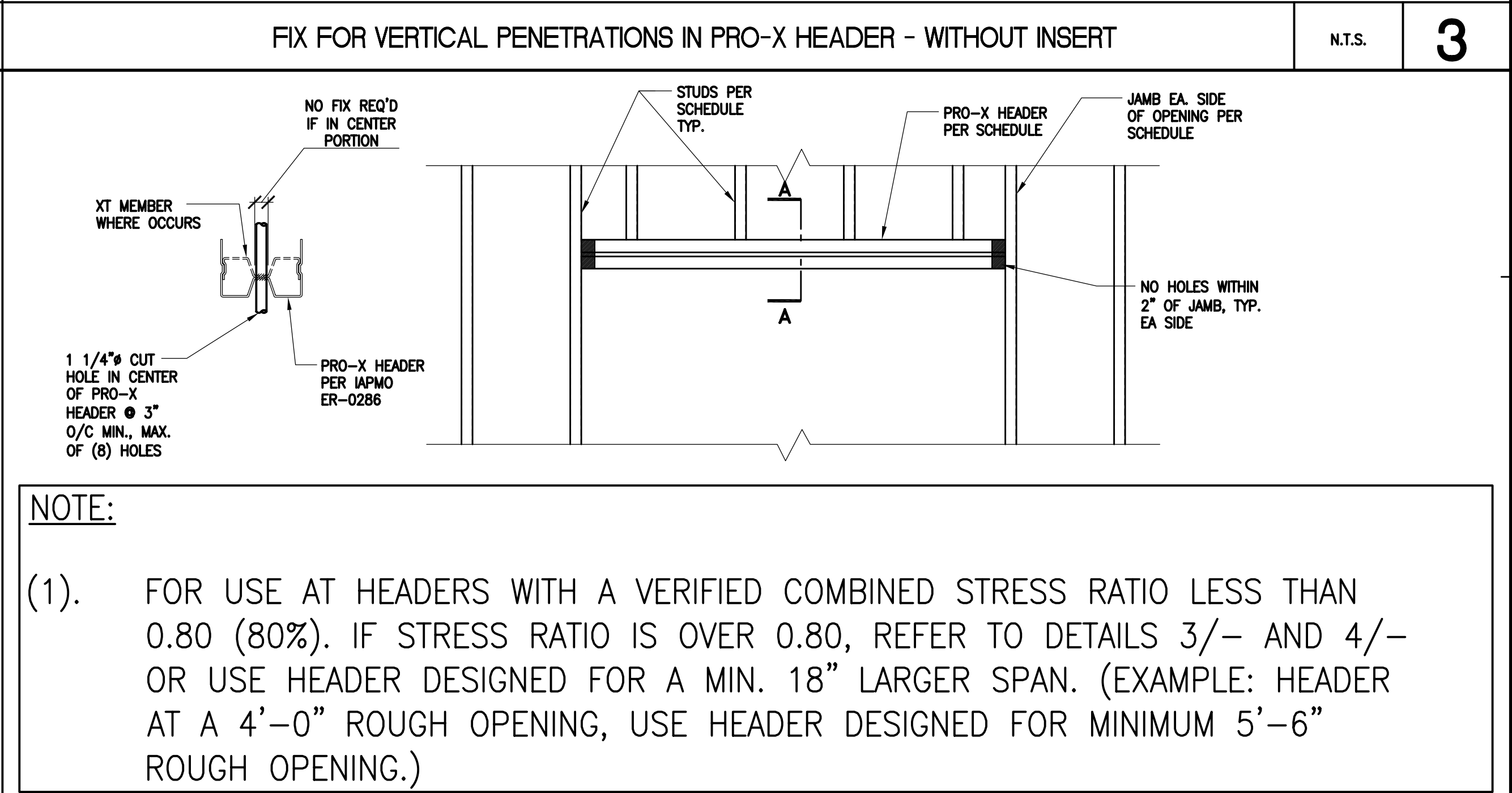
3



FIX FOR PRO-X CLIP INSTALLED OVER STUD PUNCHOUT

N.T.S.

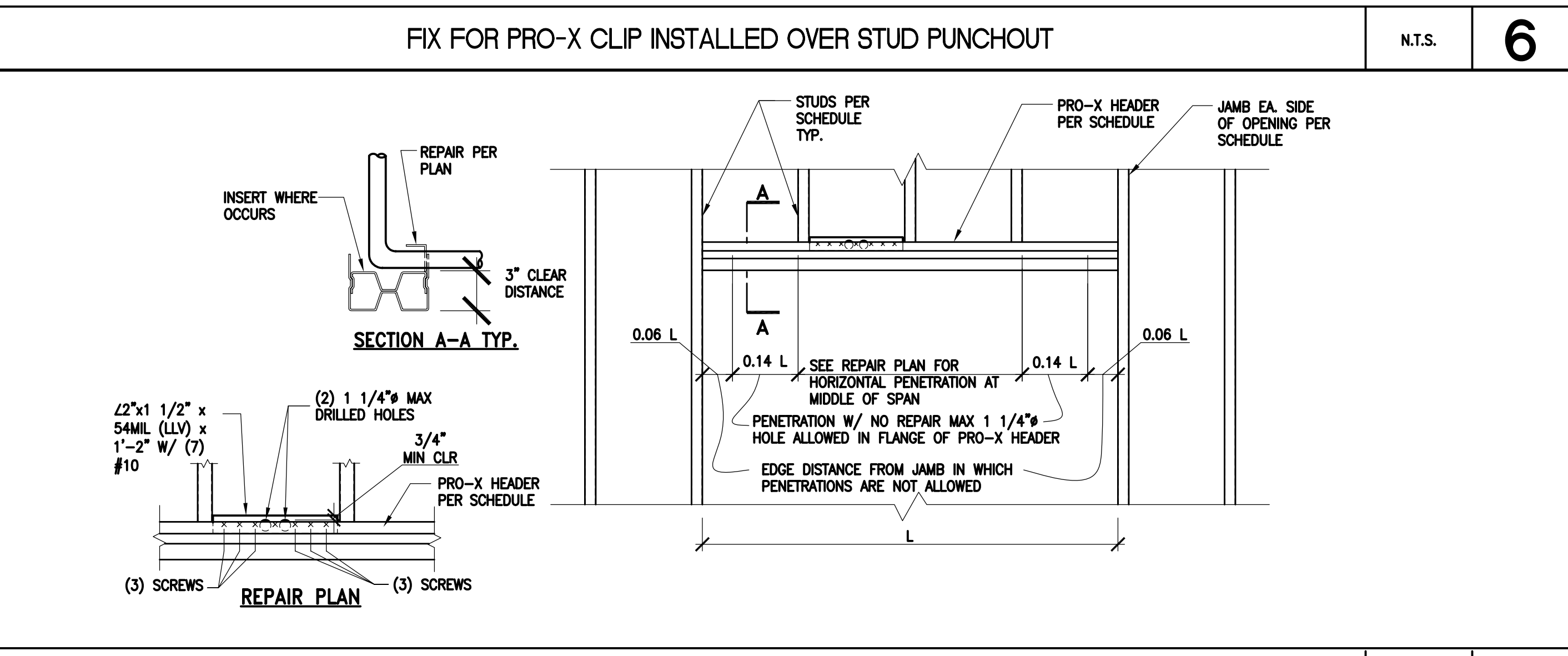
6



ALLOWABLE VERTICAL PENETRATIONS IN PRO-X HEADER - PREFERRED METHOD

N.T.S.

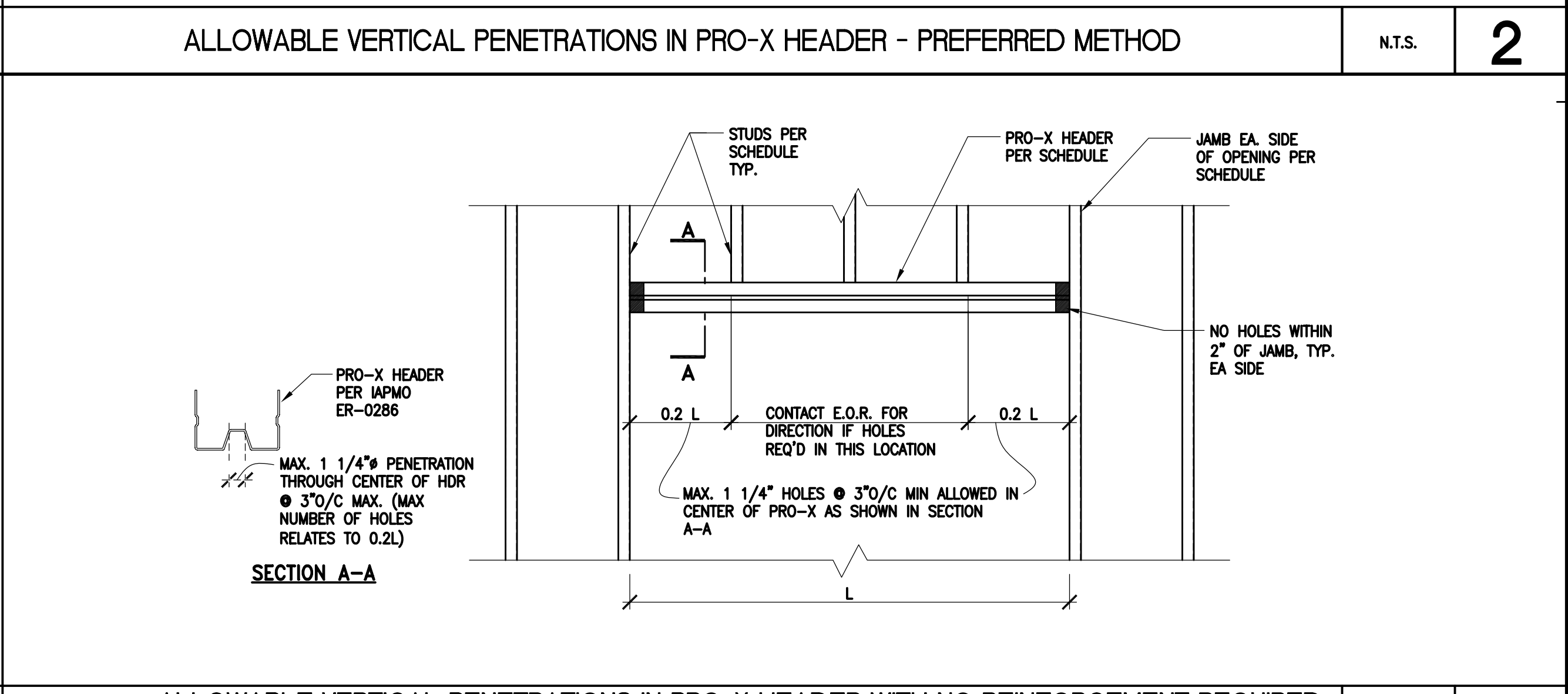
2



ALLOWABLE HORIZONTAL PENETRATIONS IN PRO-X HEADER

N.T.S.

5



ALLOWABLE VERTICAL PENETRATIONS IN PRO-X HEADER WITH NO REINFORCEMENT REQUIRED - PREFERRED METHOD

N.T.S.

1

Brady  
Building a Better Way.  
BRADY CONSTRUCTION INNOVATIONS, INC.  
www.proxheader.com  
IAPMO ER-0286  
Tel: (888) 475-7875

PRO-X HEADER  
IAPMO ER-0286  
HOLES IN PRO-X HEADERS DETAILS

REGISTERED PROFESSIONAL ENGINEER  
FRANK A. CASTLE  
No. 4063  
STATE OF CALIFORNIA

REV.	DATE	DESCRIPTION

DRAWN BY: EMB  
DATE: 08-01-13  
SHEET TITLE:  
PROJECT NO.:  
SHEET NO.: